



FIREGUARD

Swing Check Valve Resilient Seated Grooved Ends

FCG01



Valve Standard

Fusion bonded coating comply with AWWA C550

Features

Can be installed horizontally or vertically (with upward flow)
Convenient to install and maintain
Low pressure drop

Working pressure

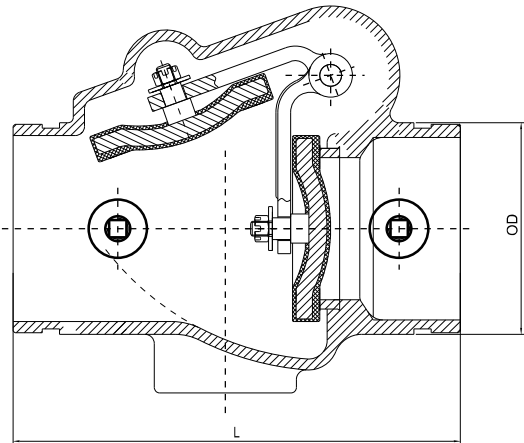
200PSI / 250PSI / 300PSI / 365PSI

Working Temperature

0°C to 80°C

Connection Ends

AWWA C 606
VDS2100



Materials List

| Part Name | Material | Specification |
|-------------------------|-----------------|--------------------|
| Body | Ductile Iron | ASTM A536 65-45-12 |
| Seat | Bronze | ASTM B62 C83600 |
| Clapper | Q235+SS304+EPDM | |
| Clapper Arm | Stainless Steel | ASTM A351 CF8 |
| Washer | Stainless Steel | AISI 304 |
| Hexagonal Slot Thin Nut | Stainless Steel | AISI 304 |
| Split Pin | Stainless Steel | AISI 304 |

Dimensions(mm/inch)

| SIZE | mm | 50 | 65 | 80 | 100 | 125 | 150 | 200 | 250 | 300 |
|------|------|------|-----------|------|-------|-------------|-------------|-------|-----|--------|
| | inch | 2 | 2½ | 3 | 4 | 5 | 6 | 8 | 10 | 12 |
| L | mm | 169 | 203 | 213 | 245 | 267 | 292 | 356 | 432 | 495 |
| OD | mm | 60.3 | 73.0/76.1 | 88.9 | 114.3 | 139.7/141.3 | 165.1/168.3 | 219.1 | 273 | 323.85 |

***Note: Subject to change without prior notice due to products optimization.

EGUARD GLOBAL LTD. Unit 11, Chancel Industrial Estate, Newhall Street, Willenhall, WV13 1NX, United Kingdom

www.fireguard-uk.com

valve